

# Valves

## 1" Increased Sensitivity Pressure Regulator

**Series 20495**

### Features

- ▶ Original Shear-Seal® technology
- ▶ Ultra flow regulator
- ▶ Fail-safe motor control options
- ▶ Tolerates contaminated media
- ▶ Self venting
- ▶ Surge dampening

### Applications

- ▶ Coiled tube reels
- ▶ Land-based and offshore oil drilling controls
- ▶ Wireline service tractors
- ▶ Pressure sensitive applications



### General Specifications\*

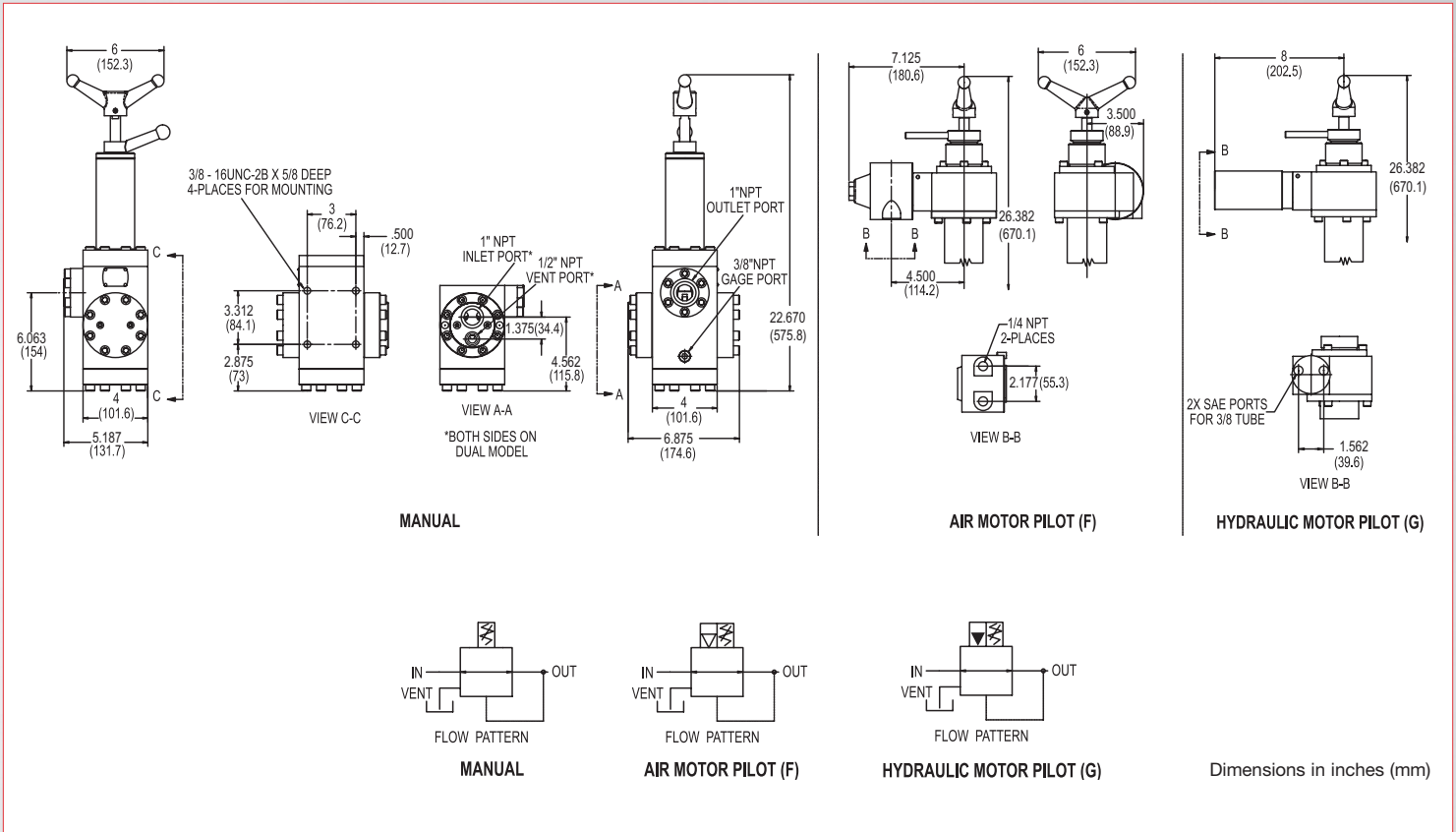
<b>Pressure:</b> Supply/Inlet Pressure: 5,000 psi (345 bar)  Regulated Pressure Range: High Sensitivity 500 - 1800 psi (34 - 124 bar) Full Range 500 - 3300 psi (34 - 228 bar)  Regulated Pressure Range "F" Prefix Pneumatic failsafe motor: High Sensitivity 500 - 1800 psi (34 - 124 bar) Full Range 500 - 3000 psi (34 - 207 bar)  Regulated Pressure Range "G" Prefix Hydraulic failsafe motor: High Sensitivity 500 - 1800 psi (34 - 124 bar) Full Range 500 - 3000 psi (34 - 207 bar)  Fluid Temperature Range: -40° to +250°F (-40° to +121°C)  Proof Pressure: 7,500 psi (517 bar)	<b>Materials of Construction:</b> Body: Stainless steel (standard)  Flanges: Phosphate coated alloy steel (std.) Option: Stainless steel  Spring Tower: Manual Stainless steel (std.) Pneumatic Motor model Phosphate coated alloy steel (std.) Hydraulic Motor model Phosphate coated alloy steel (std.)  Standard O'ring Material: Buna N  Socket Head Screws: Stainless steel (std.)  Wetted Parts: Stainless steel
<b>Flow:</b> Flow Rate: 90 GPM (@ 50 ft/s)  Cv Inlet: 9.8  Cv Vent: 0.7	<b>Pneumatic Pilot Motor ("F" prefix):</b> Pilot Motor Working Pressure: 80 - 120 psi (5.5 - 8.3 bar)  Porting: 1/4" NPT  Operating Temperature Range: 32° to +250°F (0° to +120°C)
<b>Porting:</b> Inlet 1: 1" NPT Standard, SAE Optional  Outlet (regulated): 1" NPT Standard, SAE Optional  Vent: 1/2" NPT Standard, SAE Optional  Gauge Port: 3/8" NPT Standard, SAE Optional	<b>Hydraulic Pilot Motor ("G" prefix):</b> Pilot Motor Working Pressure: 400 - 1600 psi (6.9 - 110 bar)  Porting: SAE for 3/8" Tube (Size -6)  Operating Temperature Rating: -40° to +250°F (-40° to +121°C)
	<b>Approximate Shipping Weight:</b> Manual: 47 lbs. (21.3 kg)  Pneumatic or Hydraulic Motor: 70 lbs. (31.8 kg)

\* See product configurator for additional options.

# 1" Increased Sensitivity Pressure Regulator

**Series 20495**

## Technical Drawings



## Product Configurator

Example:

### Adjustment Method

Blank	Manual
F	Pneumatic failsafe motor
G	Hydraulic failsafe motor

### Series

20495S6WQ2	1" Pressure regulator (3/4" full flow regulator)
------------	---

### Option

Blank	NPT porting
-MS	SAE porting
-SS	Stainless steel flanges & trim
-L <sup>1</sup>	Reversed porting

### Regulated Pressure Range (Manual)

Blank	High sensitivity	500 - 1800 psi (34 - 124 bar)
-1	Full range	500 - 3300 psi (34 - 228 bar)

### Regulated Pressure Range (Failsafe) F & G Models

Blank	High sensitivity	500 - 1800 psi (34 - 124 bar)
-1	Full range	500 - 3000 psi (34 - 207 bar)



#### Note:

- Supply/Vent ports installed on right side of regulated port. Blank flange installed on left side of regulated port.